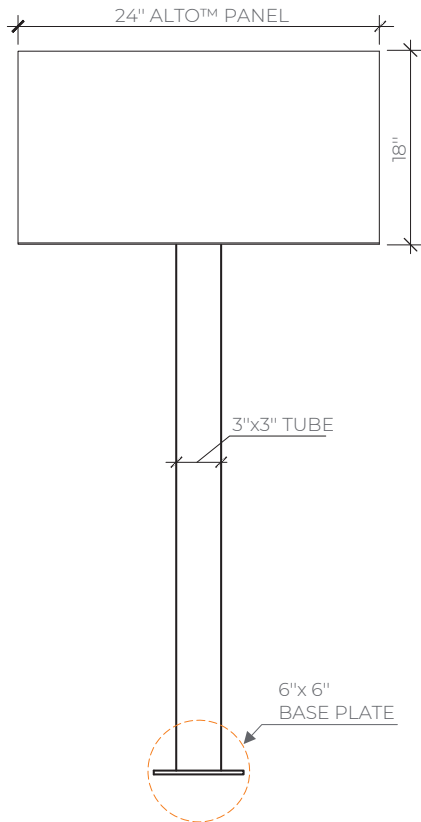
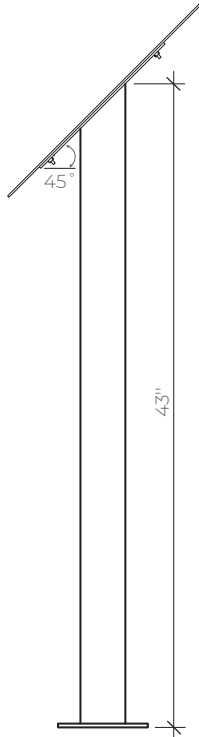


# PEDESTAL

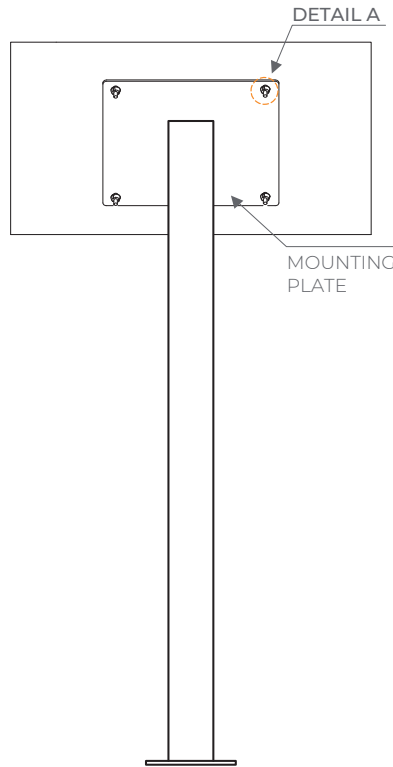
## Technical Drawings



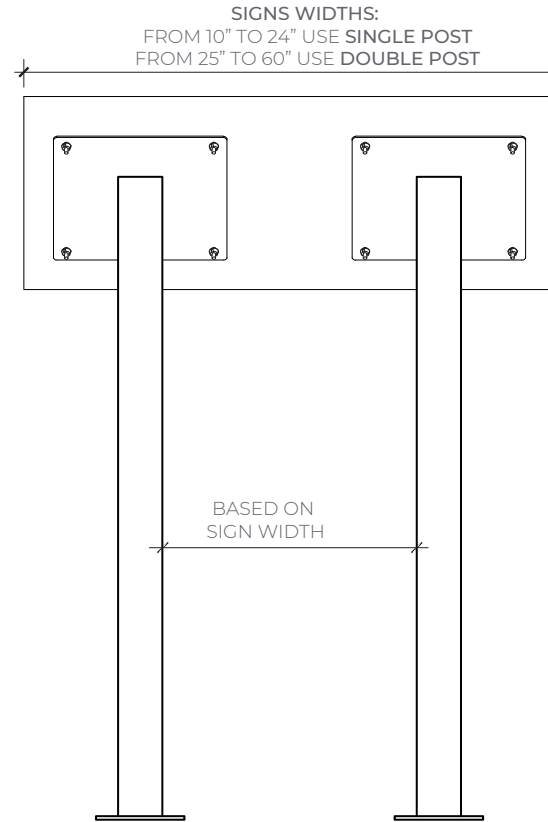
**FRONT VIEW**  
SCALE: N.T.S.



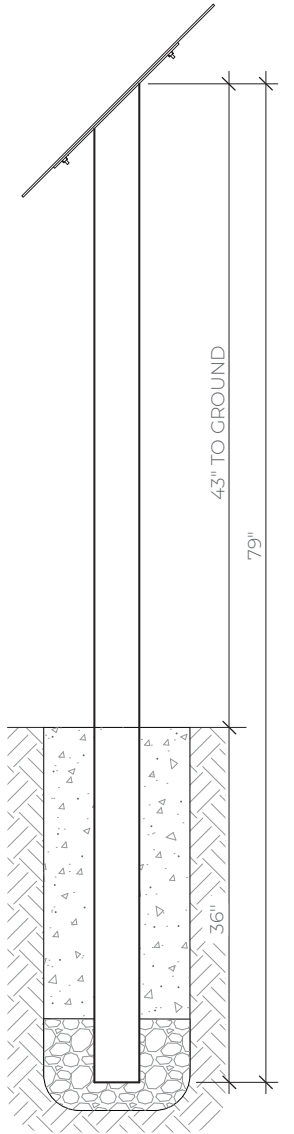
**BASE PLATE MOUNT  
SIDE VIEW**  
SCALE: N.T.S.



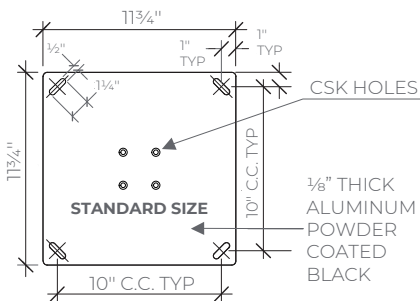
**BACK VIEW**  
SCALE: N.T.S.



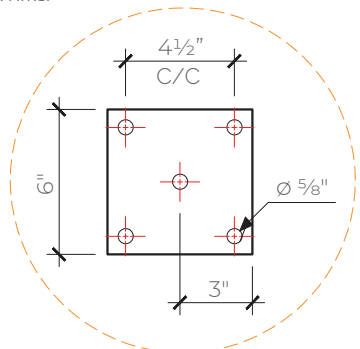
**DOUBLE MOUNT\*  
BACK VIEW**  
SCALE: N.T.S.  
(\*IN-GROUND AVAILABLE)



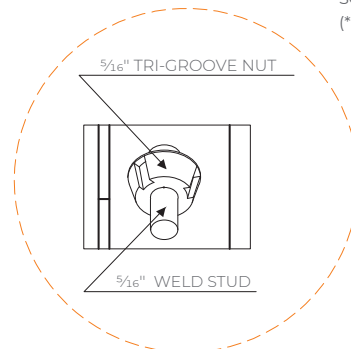
**IN-GROUND MOUNT  
SIDE VIEW**  
SCALE: N.T.S.



**MOUNTING PLATE  
TOP VIEW**  
SCALE: N.T.S.



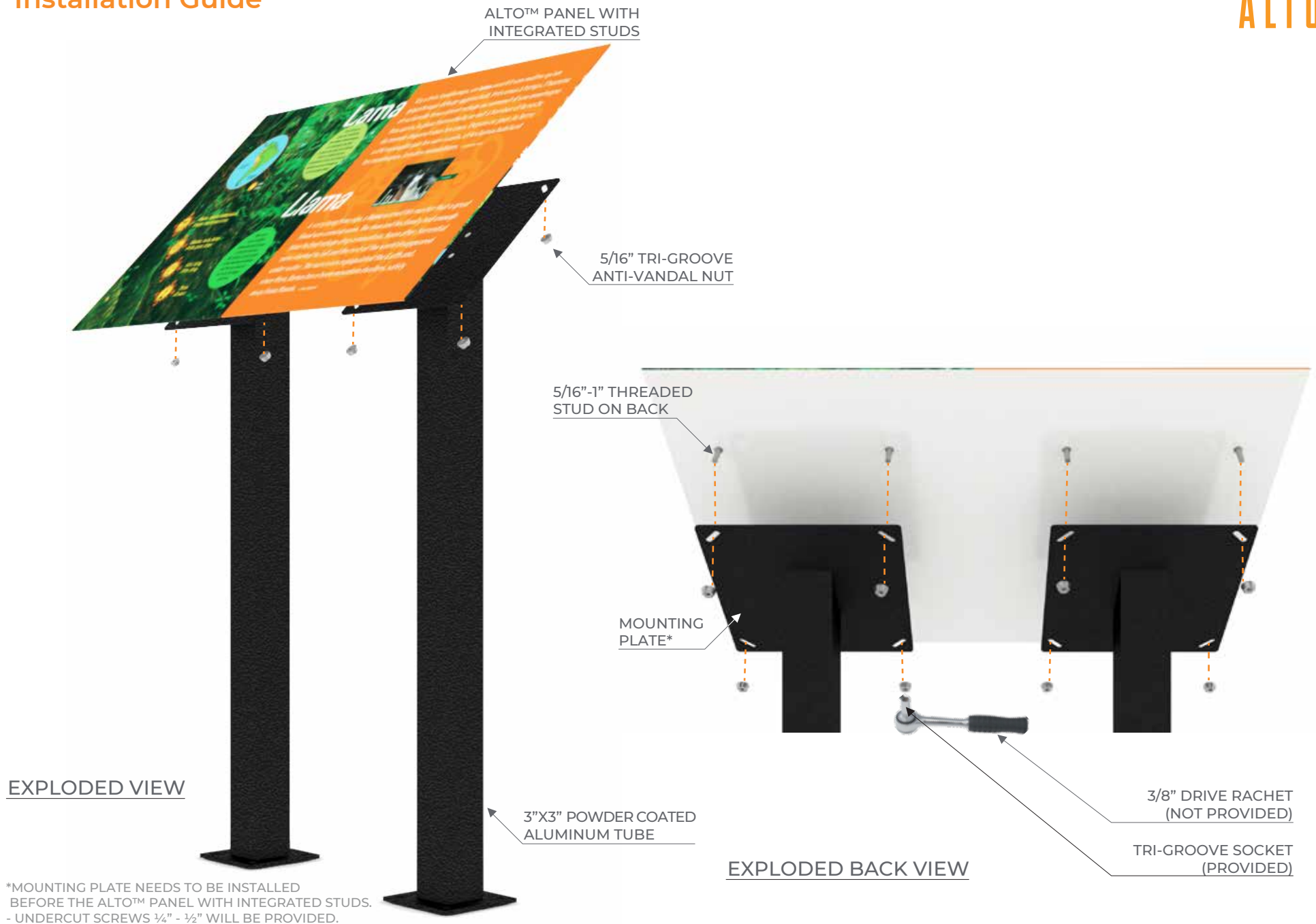
**BASE PLATE**  
SCALE: N.T.S.



**DETAIL A**  
SCALE: N.T.S.

# PEDESTAL

## Installation Guide



EXPLODED VIEW

EXPLODED BACK VIEW

\*MOUNTING PLATE NEEDS TO BE INSTALLED BEFORE THE ALTO™ PANEL WITH INTEGRATED STUDS.  
- UNDERCUT SCREWS ¼" - ½" WILL BE PROVIDED.