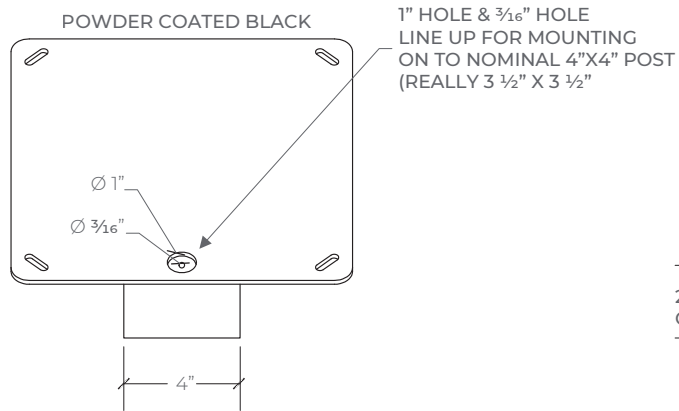
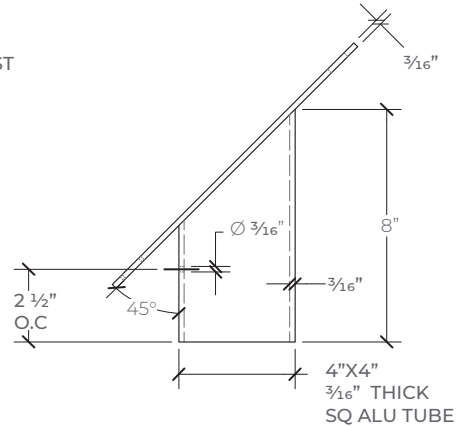


SLIP-ON MOUNT

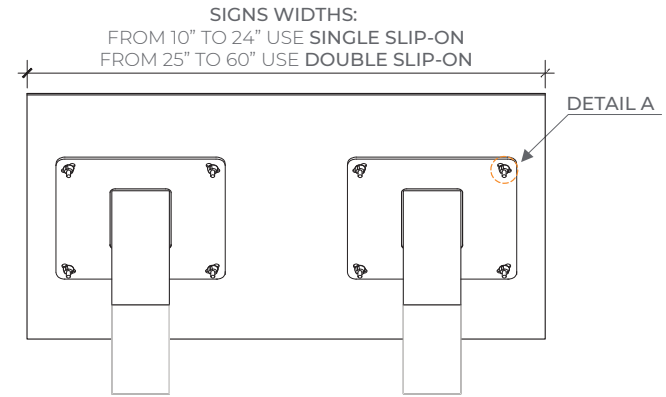
Technical Drawings



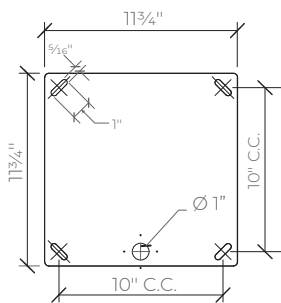
FRONT VIEW
SCALE: N.T.S.



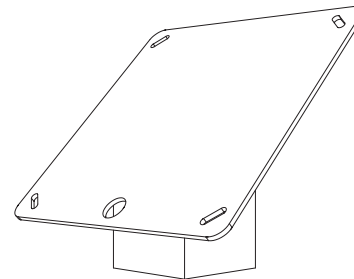
SIDE VIEW
SCALE: N.T.S.



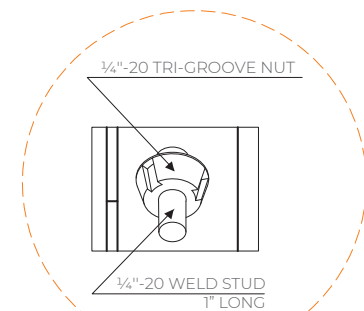
**DOUBLE SLIP-ON
BACK VIEW**
SCALE: N.T.S.



**3/16" THICK SLIP-ON
MOUNTING PLATE
TOP VIEW**
SCALE: N.T.S.



**MOUNTING PLATE
ISOMETRIC VIEW**
SCALE: N.T.S.

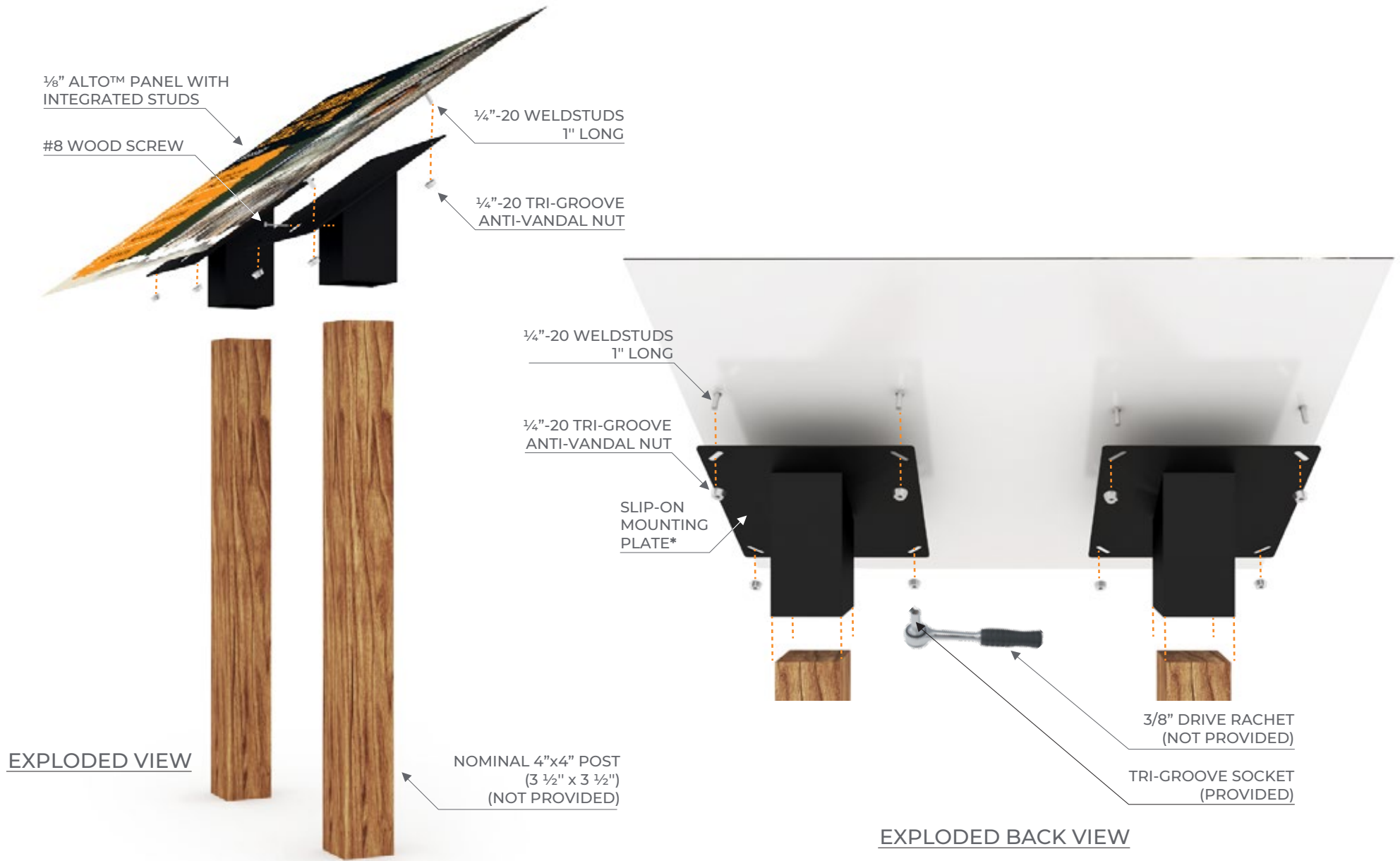


DETAIL A
SCALE: N.T.S.

- ANTI-VANDAL NUTS & SOCKET INCLUDED
- MOUNTING PLATE SIZE: 11 3/4" X 11 3/4" ONLY

SLIP-ON MOUNT

Installation Guide



*MOUNTING PLATE NEEDS TO BE INSTALLED BEFORE THE ALTO™ PANEL WITH INTEGRATED STUDS.
- UNDERCUT SCREWS 1/4" - 1/2" WILL BE PROVIDED.